



DORMA Movable Walls Pty Ltd  
Web site: www.dorma.com.au

PROJECT NUMBER:

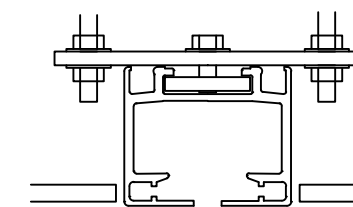
PROJECT NAME:

TITLE: HEAD & PANEL DETAILS

PRODUCT: VARIFLEX 100

DRAWING NUMBER:	SCALE	REVISION
D2	NTS	

Approx. 100mm thick panels



HEAD TRACK

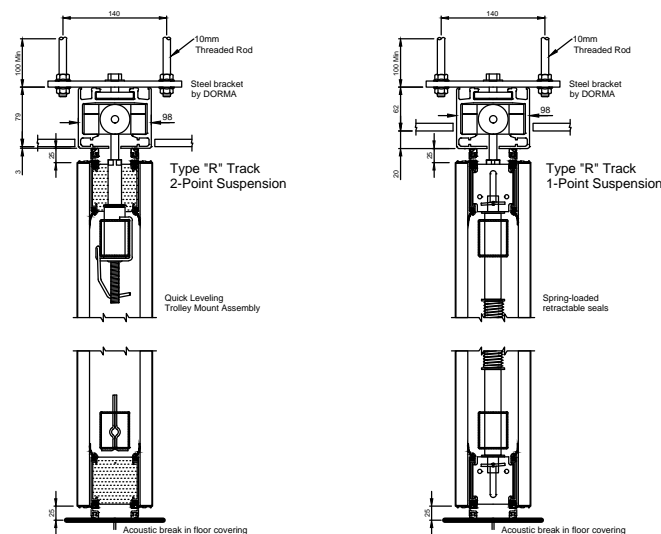
DRAWN BY (PRINT & SIGN):	DATE:
MA	06/09/2013

APPROVED BY: \_\_\_\_\_

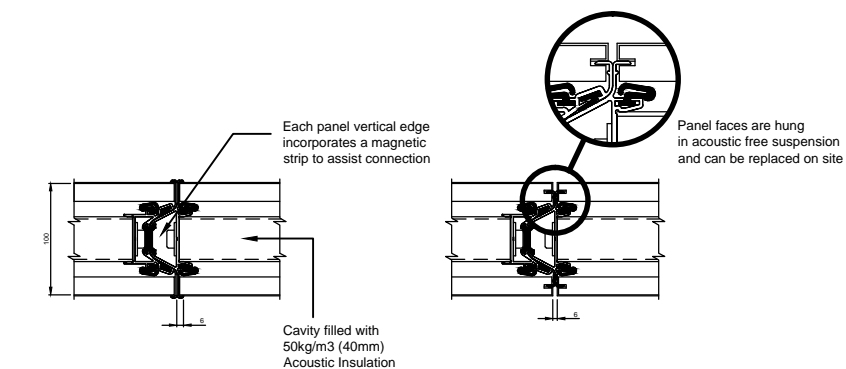
DATE: \_\_\_\_\_

No	REVISION	DATE
A		
B		
C		
D		
E		

Panel construction



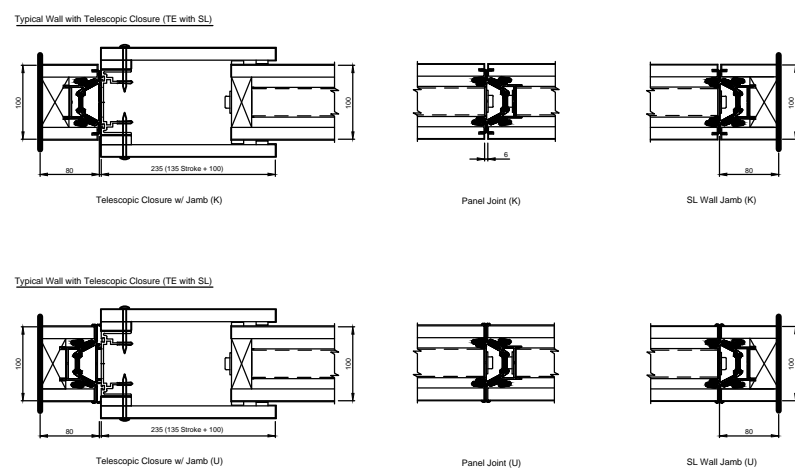
Standard panel joint



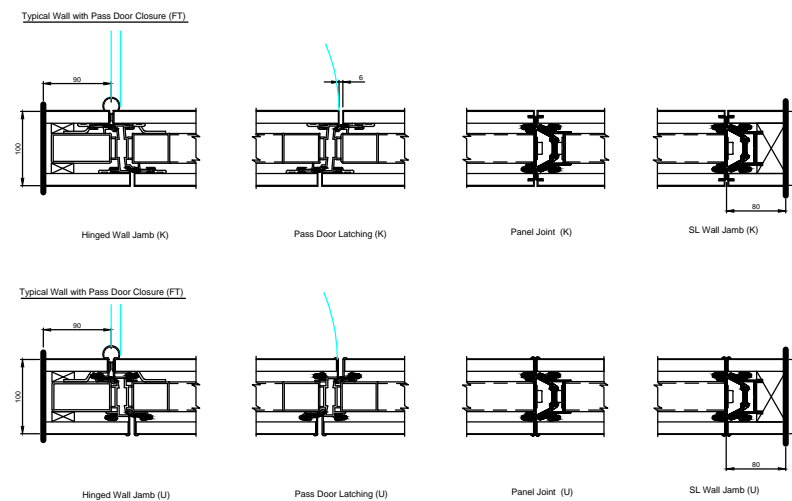
Type "U" Protective Vertical Frame

Type "K" Concealed Vertical Frame

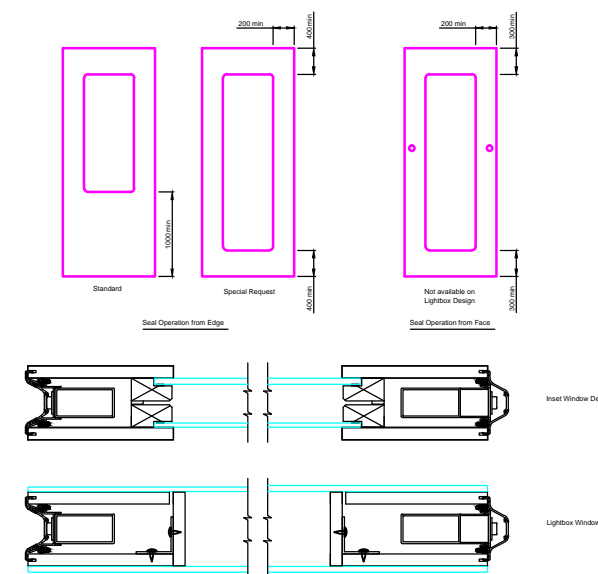
Typical configurations (Telescopic Closure)



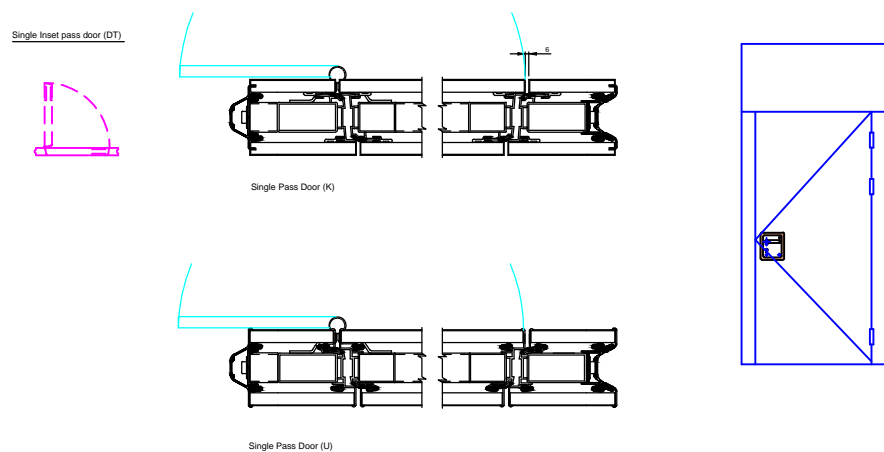
Typical configurations (Full height pass Door Closure)



Windows



Inset pass through doors (Door within a panel)



Double inset pass through doors

