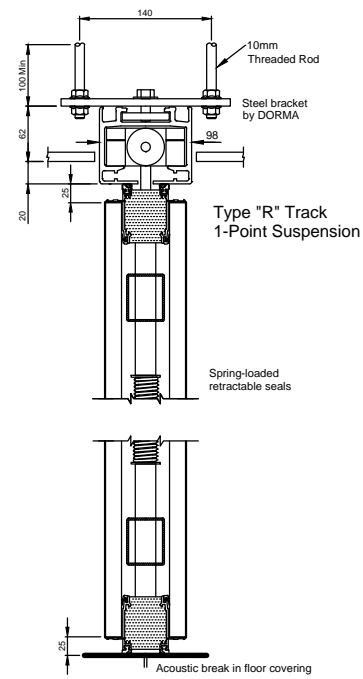
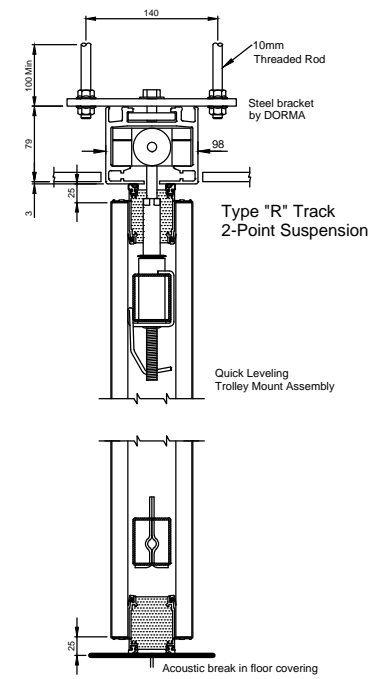
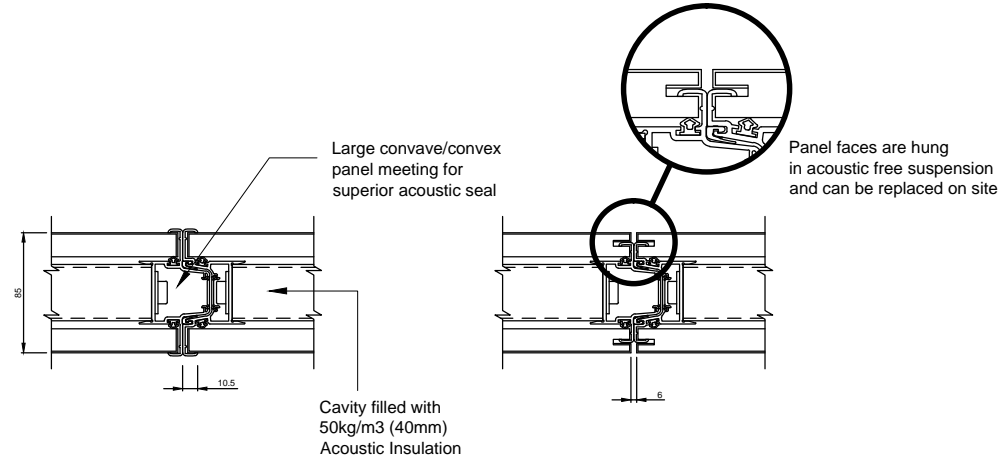


Panel Construction



Standard panel joint

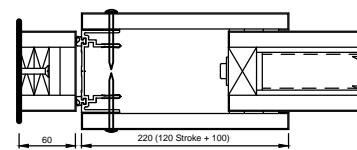


Type "U" Protective Vertical Frame

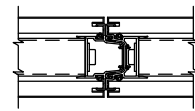
Type "K" Concealed Vertical Frame

Typical configurations (Telescopic Closure)

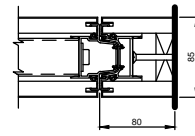
Typical Wall with Telescopic Closure (TE with WA)



Telescopic Closure w/ Jamb (K)

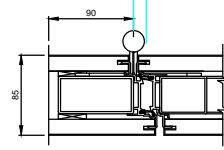


Panel Joint (K)

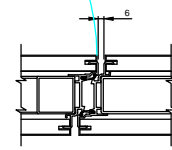


SL Wall Jamb (K)

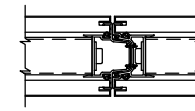
Typical Wall with Pass Door Closure (FT)



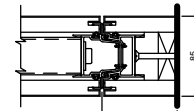
Hinged Wall Jamb (K)



Pass Door Latching (K)

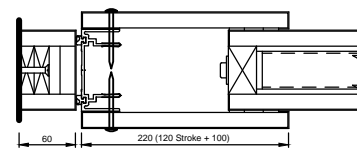


Panel Joint (K)

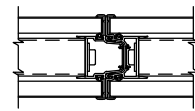


SL Wall Jamb (K)

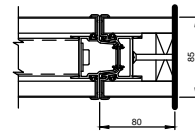
Typical Wall with Telescopic Closure (TE with WA)



Telescopic Closure w/ Jamb (U)

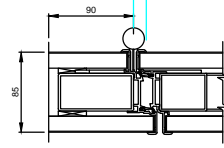


Panel Joint (U)

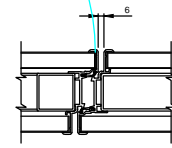


SL Wall Jamb (U)

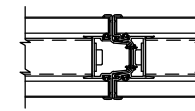
Typical Wall with Pass Door Closure (FT)



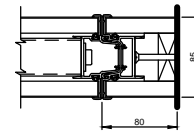
Hinged Wall Jamb (U)



Pass Door Latching (U)



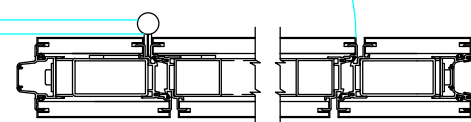
Panel Joint (U)



SL Wall Jamb (U)

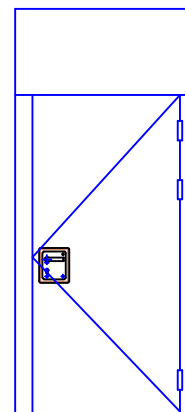
Inset pass through doors (Door within a panel)

Single Inset pass door (DT)



Single Pass Door (K)

Single Pass Door (U)



DORMA Movable Walls Pty Ltd  
Web site: www.dorma.com.au

PROJECT NUMBER:

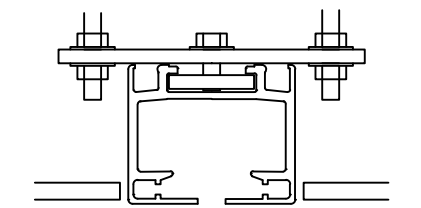
PROJECT NAME:

TITLE: HEAD & PANEL DETAILS

PRODUCT: VARIFLEX 85

DRAWING NUMBER:	SCALE	REVISION
D1	NTS	

Approx. 85mm thick panels



HEAD TRACK

DRAWN BY (PRINT & SIGN):	DATE:
MA	06/09/2013

APPROVED BY: \_\_\_\_\_

DATE: \_\_\_\_\_

No	REVISION	DATE
A		
B		
C		
D		
E		